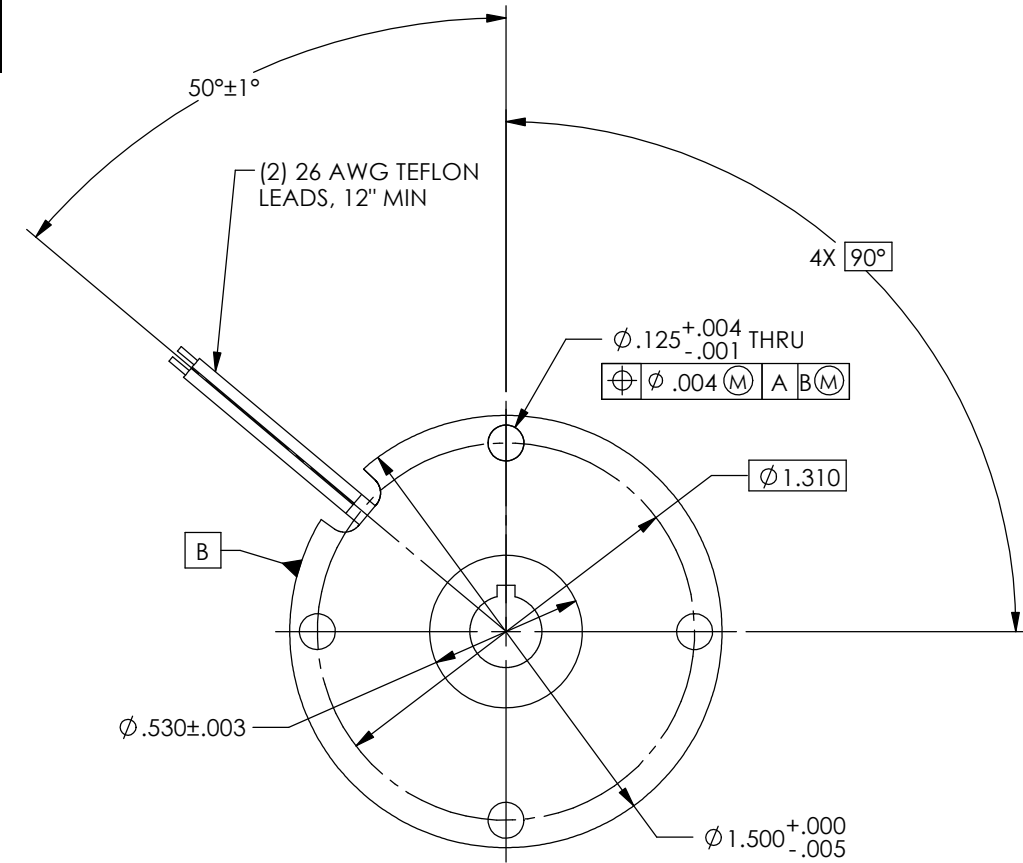
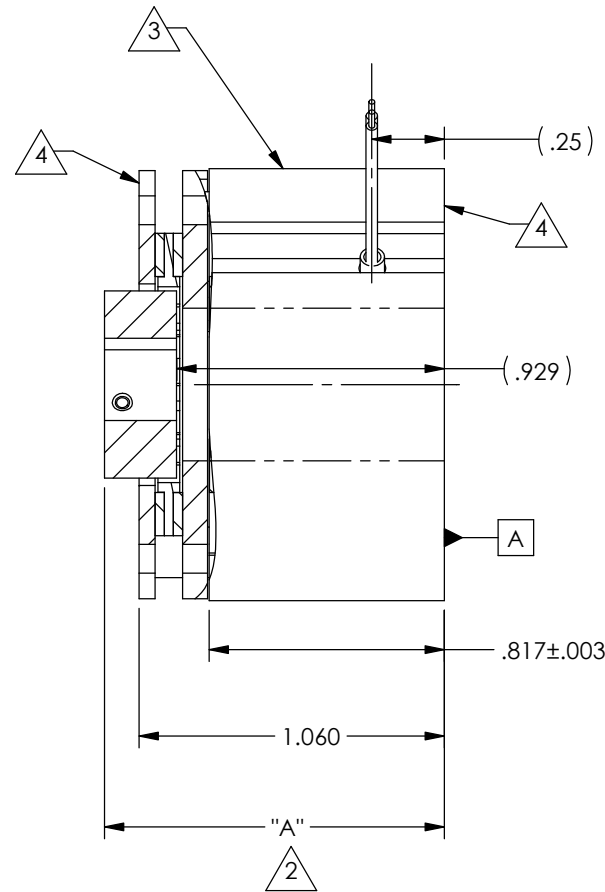
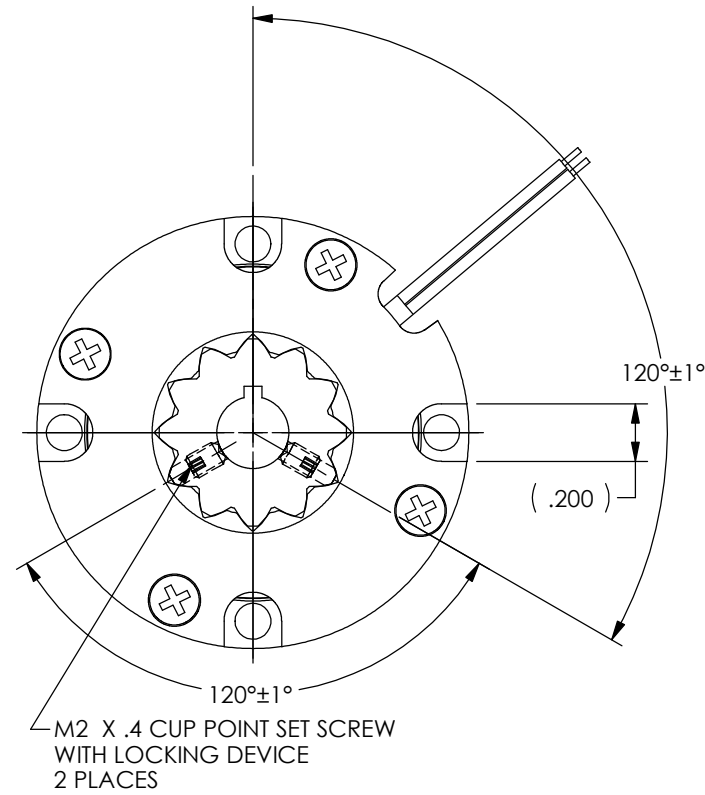


MODEL NUMBER	OPERATING VOLTAGE	A±.01	ØF+.001	H+.005	W+.0020
SB-15*24-E04-S	24 V _{DC}	1.06	0.2500	0.286	0.0625
SB-15*24-E05-S			0.3125	0.364	0.0938
SB-15*24-E06-S			0.3750	0.425	0.0938
SB-15*24-E04-L		1.18	0.2500	0.286	0.0625
SB-15*24-E05-L			0.3125	0.364	0.0938
SB-15*24-E06-L	90 V _{DC}	1.06	0.2500	0.286	0.0625
SB-15*90-E04-S			0.3125	0.364	0.0938
SB-15*90-E05-S			0.3750	0.425	0.0938
SB-15*90-E06-S		1.18	0.2500	0.286	0.0625
SB-15*90-E04-L			0.3125	0.364	0.0938
SB-15*90-E05-L			0.3750	0.425	0.0938
SB-15*90-E06-L					

MODEL NUMBER	OPERATING VOLTAGE	A±.01	ØF	H	W
SB-15*24-M06-S	24 V _{DC}	1.06	.2366 ±.0003	.2757 +.0045 -.0000	.0787 +.0005 -.0004
SB-15*24-M08-S			.3154 ±.0004	.3702 +.0045 -.0000	.1181 ±.0004
SB-15*24-M06-L		1.18	.2366 ±.0003	.2757 +.0045 -.0000	.0787 +.0005 -.0004
SB-15*24-M08-L			.3154 ±.0004	.3702 +.0045 -.0000	.1181 ±.0004
SB-15*90-M06-S	90 V _{DC}	1.06	.2366 ±.0003	.2757 +.0045 -.0000	.0787 +.0005 -.0004
SB-15*90-M08-S			.3154 ±.0004	.3702 +.0045 -.0000	.1181 ±.0004
SB-15*90-M06-L		1.18	.2366 ±.0003	.2757 +.0045 -.0000	.0787 +.0005 -.0004
SB-15*90-M08-L			.3154 ±.0004	.3702 +.0045 -.0000	.1181 ±.0004

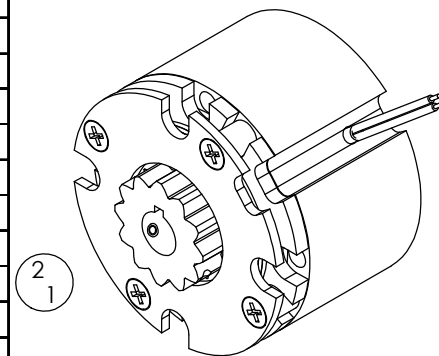
REVISIONS					
ISSUE	ECO	DESCRIPTION	DATE	BY	CHECKED
1		NEW DRAWING			
2	5618	CHANGED FROM 20MS TO 30MS	6/15/2004	WBS	CLW

CUSTOM BORES AVAILABLE, CONTACT THOMSON DELTRAN FOR ASSISTANCE.



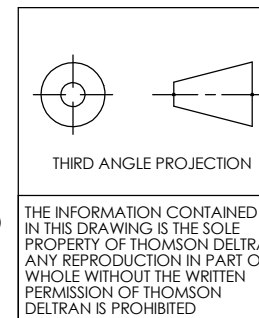
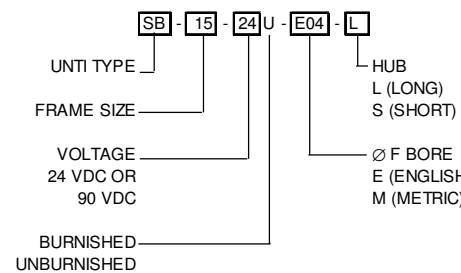
ASSEMBLY AND ALL COMPONENTS MUST MEET EU DIRECTIVE 2002/95/EC (RoHS)

TECHNICAL DATA @ 25°C		
STATIC TORQUE (BURNISHED) MIN	5 LB-IN (.56 Nm)	
STATIC TORQUE (UN-BURNISHED) MIN	3 LB-IN (.34 Nm)	
COIL DATA:	(24 V _{DC})	(90 V _{DC})
SUPPLY VOLTAGE (V _{DC})	21.6 / 26.4	81.0 / 99.0
RESISTANCE (OHMS)	96±10%	1350±10%
POWER (WATTS) MAX	(6.7 @ 24 V _{DC})	(6.7 @ 90 V _{DC})
CURRENT (mA) MAX	(278 @ 24 V _{DC})	(74 @ 90 V _{DC})
PULL-IN VOLTAGE (V _{DC}) MAX	16	60
PULL-IN TIME (ms) MAX	21.6 @ 140°C	81.0 @ 140°C
DROP-OUT TIME (ms) MAX	30 @ 21.6V _{DC}	30 @ 81V _{DC}
DIELECTRIC STRENGTH	10 @ 26.4V _{DC} 10 @ 99V _{DC}	
INSULATION RESISTANCE	500 VAC - 60 HZ - 1 MIN	
INSULATION RESISTANCE	100 MEGOHMS MIN @ 500 VDC	
BRAKE ROTOR / HUB INERTIA (LB-IN-S ²)	(4.38e-06)	
BRAKE WEIGHT (LB)	(.33)	



SCALE 1 : 1

PART NUMBERING SYSTEM



- NOTES:
- 1.0° MAX ROTATIONAL NO LOAD BACKLASH.
1.6° MAX ROTATIONAL BACKLASH AT 50% OF RATED STATIC TORQUE.

- 2 DIMENSION INCLUDES NOMINAL .020 AXIAL HUB - ARMATURE CLEARANCE
- 3 STANDARD LABEL
- 4 BRAKE CAN BE MOUNTED ON EITHER FACE.

UNLESS OTHERWISE SPECIFIED: DIMENSIONS ARE IN INCHES DIAMETERS CONCENTRIC .003 TIR FACES PERPENDICULAR .003 INTERPRETATION PER ASME Y14.5M-1994		
FRACTIONS ±1/64	DECIMALS .00 ±.01 .000 ±.005	ANGLES ±30°
HEAT TREAT	-	
FINISH	-	
REMOVE ALL BURRS AND BREAK SHARP EDGES -.005/010 ALL INSIDE CORNERS TO BE .015 R MAX UNLESS OTHERWISE SPECIFIED		
APPROVALS	DATE	
DRAWN CLW	07/10/2000	
CHECKED GCR	07/10/2000	
DES ENG GCR	07/10/2000	
MFG ENG	-	
QUAL ENG	-	

THOMSON DELTRAN

POWER OFF BRAKE

SIZE B DWG. NO. SB-15 CATALOG

SCALE 3:2 SHEET 1 OF 1